

1 HOME BLEACHER SEATING PLAN

Drawing Copyright © 2011



10800 Midlothian Turnpike, The Winchester Building,  
Suite 303 - Richmond, VA 23226-4700  
Main: (804) 897-3564 • www.chacompanies.com

HOME BLEACHER SEATING PLAN

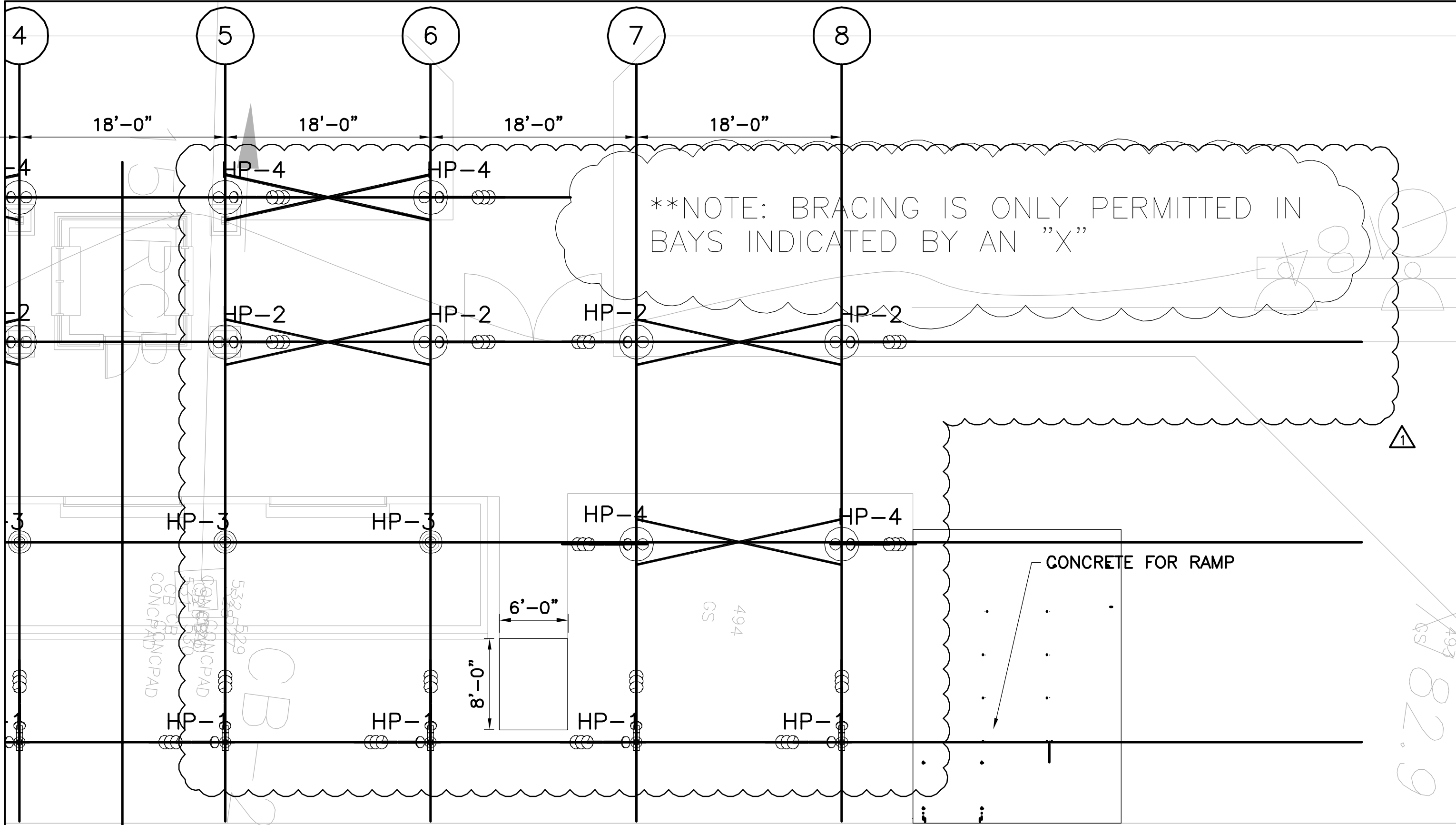
SR-601  
ADDENDUM

PROJECT NO.  
21235

DATE: 07/07/11

FIGURE A

File: I:\21235\CADD\FIGURES\ADDENDUM\REV\_SR601-602.DWG Saved: 7/6/2011 11:19:53 AM Plotted: 7/6/2011 11:23:37 AM User: Merklein, Tim LastSavedBy: 3512



1 HOME BLEACHER FOUNDATION PLAN

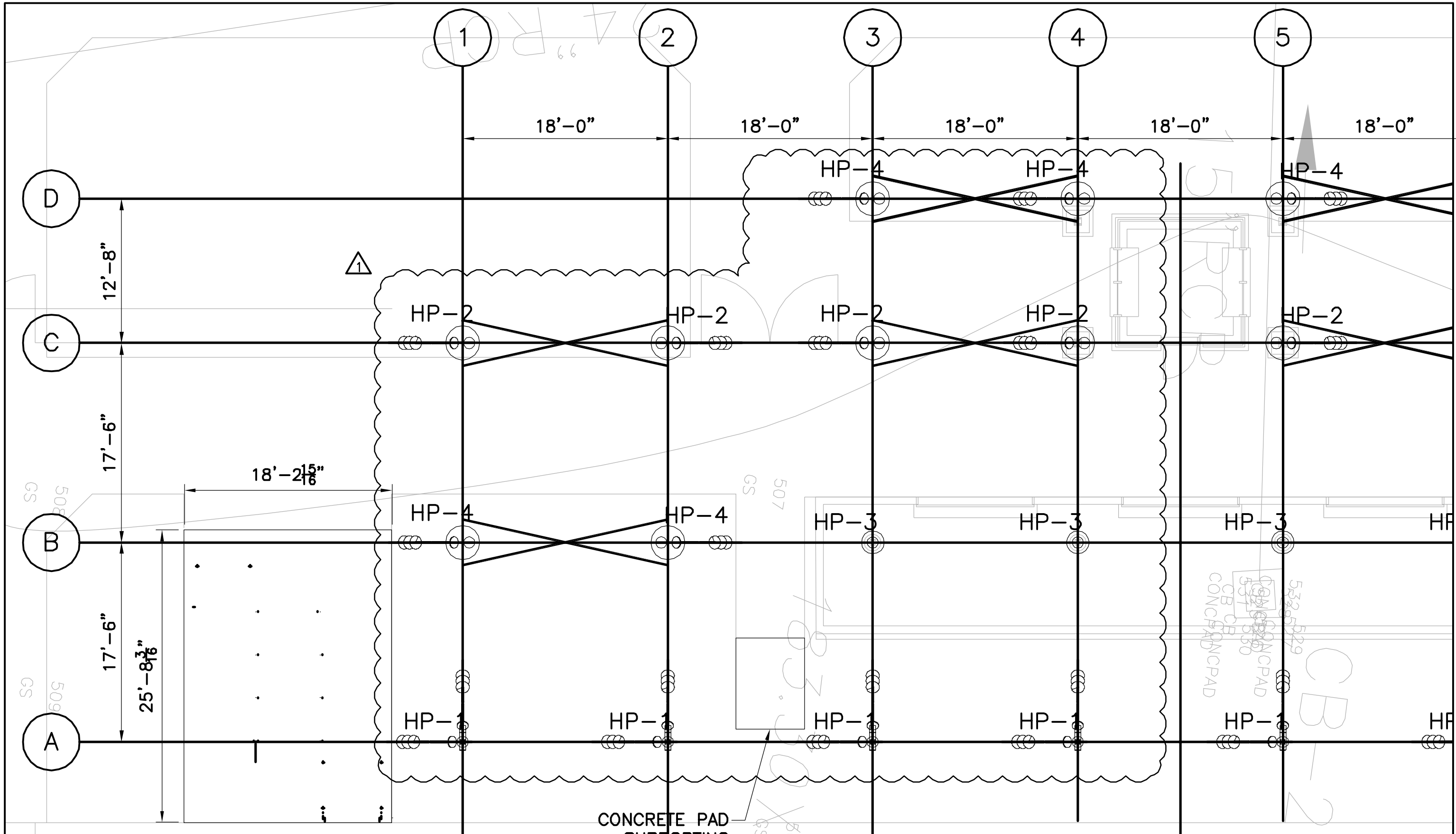
Drawing Copyright © 2011  
**CHA**  
 10800 Midlothian Turnpike, The Winchester Building,  
 Suite 303 - Richmond, VA 23225-4700  
 Main: (804) 667-3664 - www.chacompanies.com

HOME BLEACHER FOUNDATION PLAN  
 SR-602  
 ADDENDUM

PROJECT NO.  
 21235  
 DATE: 07/07/11  
 FIGURE B

494  
 82.9

File: I:\21235\CADD\FIGURES\ADDENDUM\REV\_SR601-602.DWG Saved: 7/6/2011 11:19:53 AM Plotted: 7/6/2011 11:23:26 AM User: Merklein, Tim LastSavedBy: 3512



CONCRETE PAD  
SUPPORTING  
VOMITORY STAIRS.

Drawing Copyright © 2011



10800 Midlothian Turnpike, The Winchester Building,  
Suite 303 - Richmond, VA 23235-4700  
Main: (804) 667-3664 - www.chacompanies.com

### HOME BLEACHER FOUNDATION PLAN

SR-602  
ADDENDUM

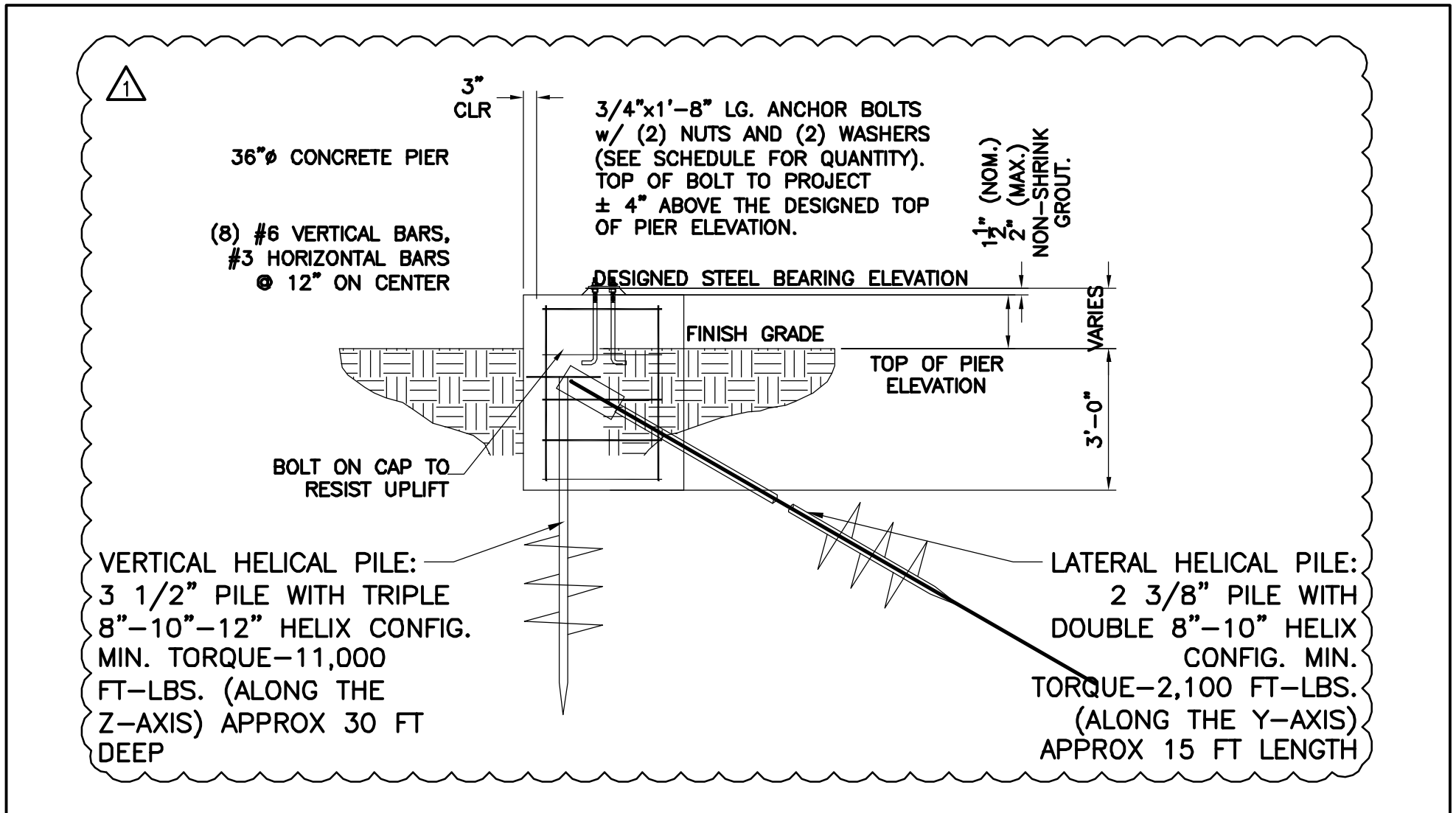
PROJECT NO.  
21235

DATE: 07/07/11

FIGURE C

1

## HOME BLEACHER FOUNDATION PLAN



5

SECTION OF HELICAL PIER TYPE 2

Drawing Copyright © 2011



10800 Middleham Turnpike, The Winchester Building,  
Suite 303 - Richmond, VA 23295-4700  
Main: (804) 897-3564 • www.chacompanies.com

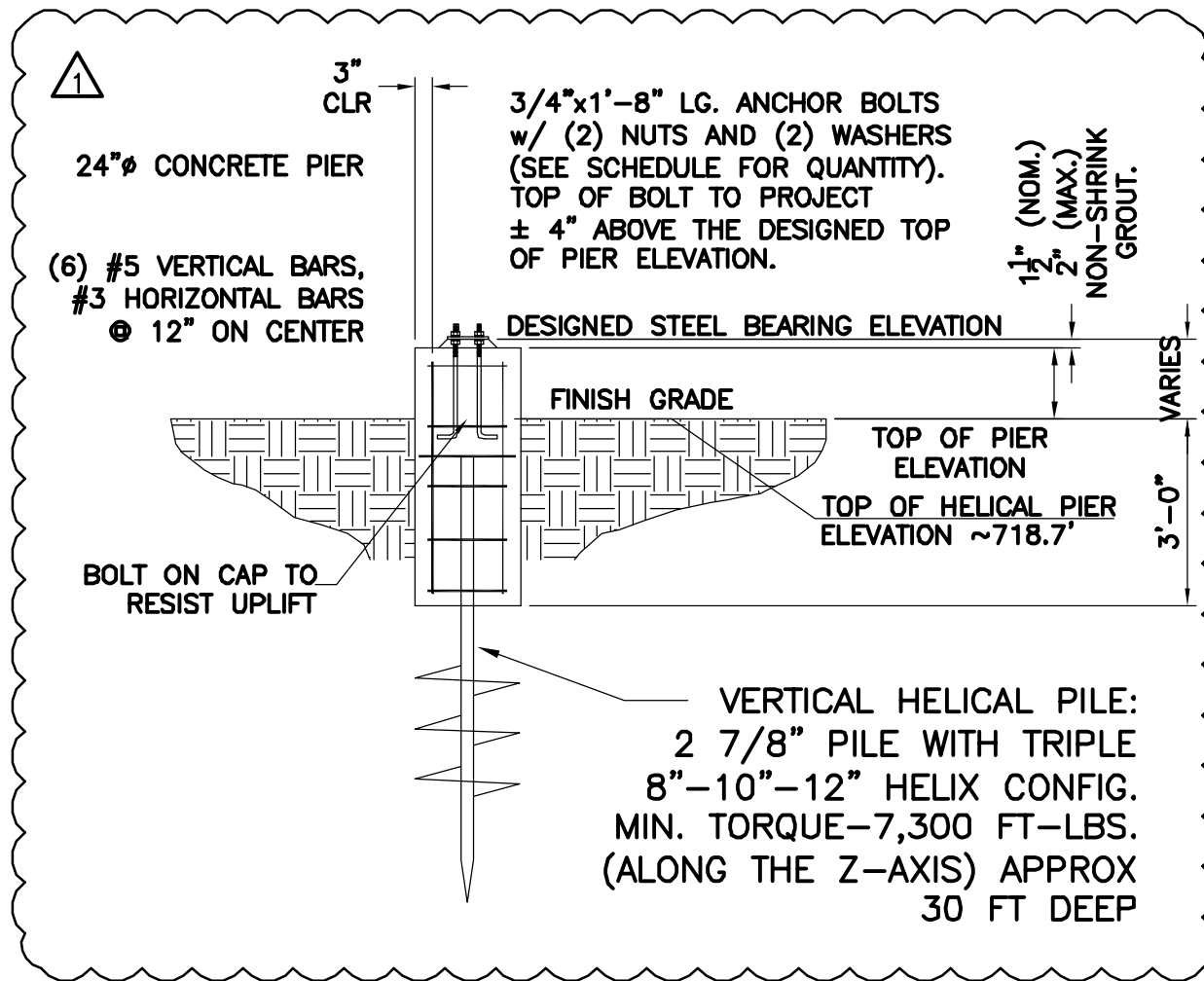
SECTION OF HELICAL PIER TYPE 2

SR-602  
ADDENDUM

PROJECT NO.  
21235

DATE: 07/07/11

FIGURE D



3

SECTION OF HELICAL PIER TYPE 3

Drawing Copyright © 2011



10800 Midlothian Turnpike, The Winchester Building,  
Suite 303 - Richmond, VA 23295-4700  
Main: (804) 897-3564 • www.chacompanies.com

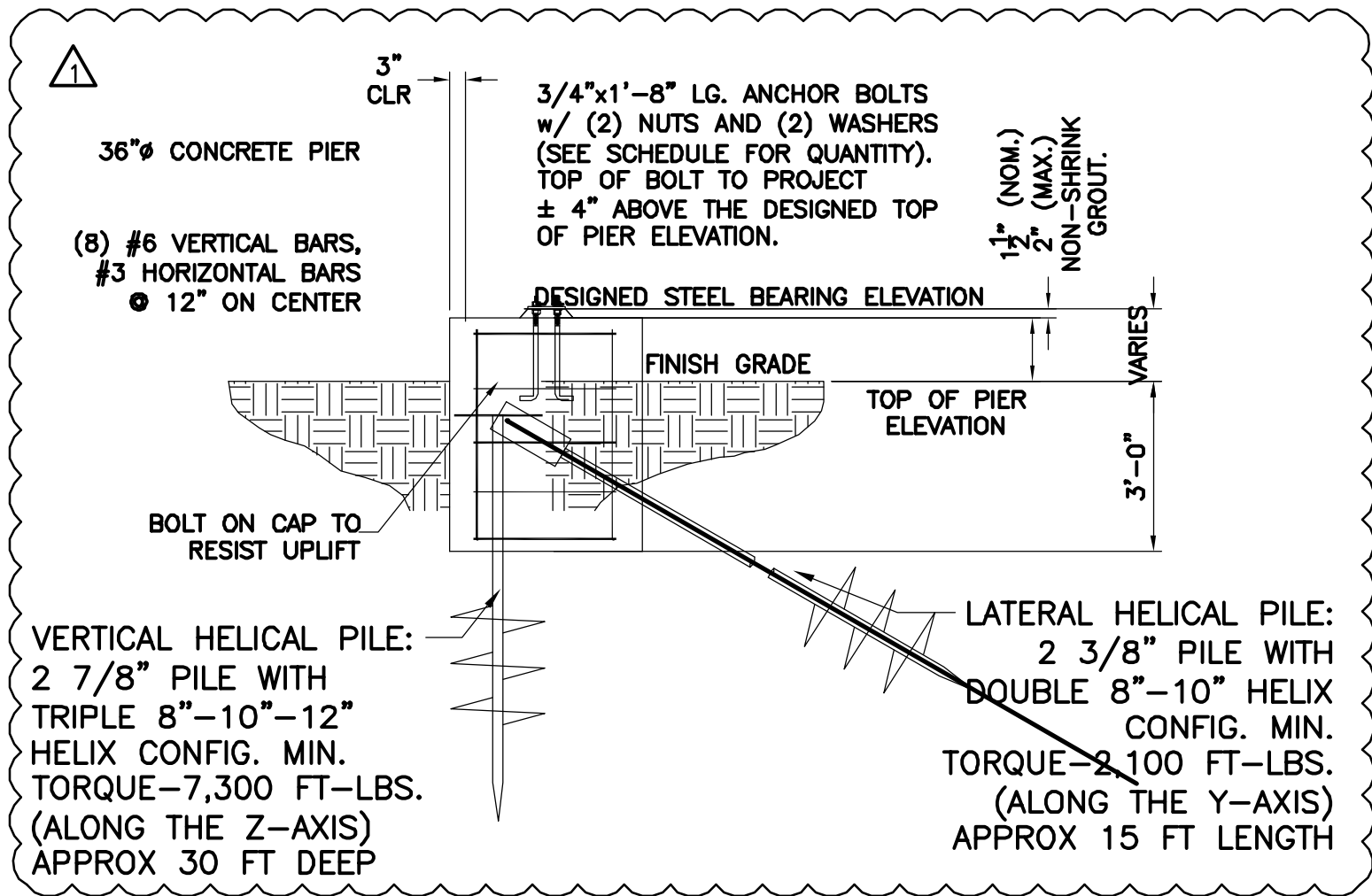
SECTION OF HELICAL PIER TYPE 3

SR-602  
ADDENDUM

PROJECT NO.  
21235

DATE: 07/07/11

FIGURE E



6

SECTION OF HELICAL PIER TYPE 4

Drawing Copyright © 2011



10800 Midlothian Turnpike, The Winchester Building,  
Suite 303 - Richmond, VA 23226-4700  
Main: (804) 897-3564 • www.chacompanies.com

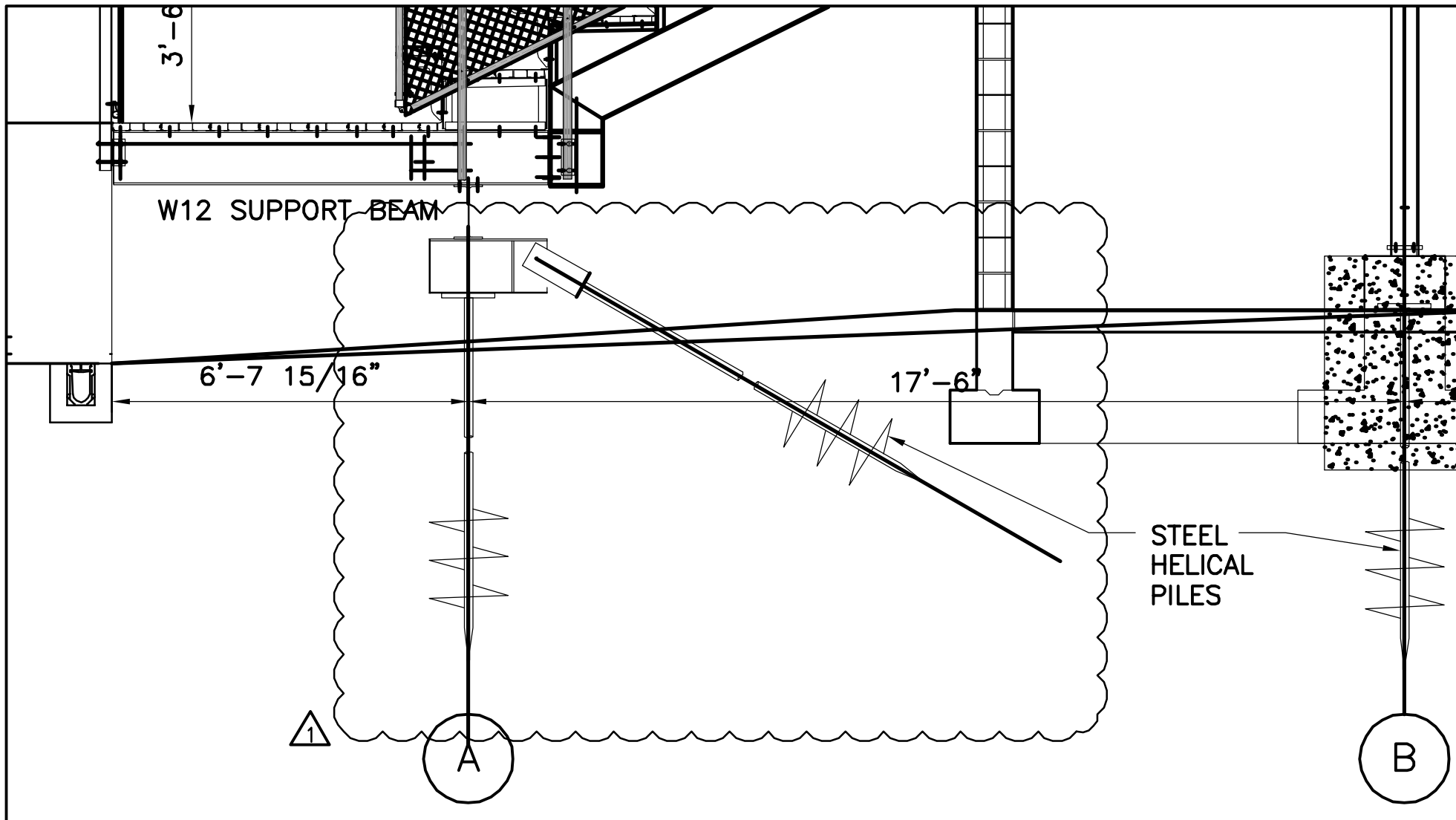
SECTION OF HELICAL PIER TYPE 4

SR-602  
ADDENDUM

PROJECT NO.  
21235

DATE: 07/07/11

FIGURE F



1

HOME BLEACHER END ELEVATION

Drawing Copyright © 2011



10800 Midlothian Turnpike, The Winchester Building,  
Suite 303 - Richmond, VA 23295-4700  
Main: (804) 897-3564 • www.chacompanies.com

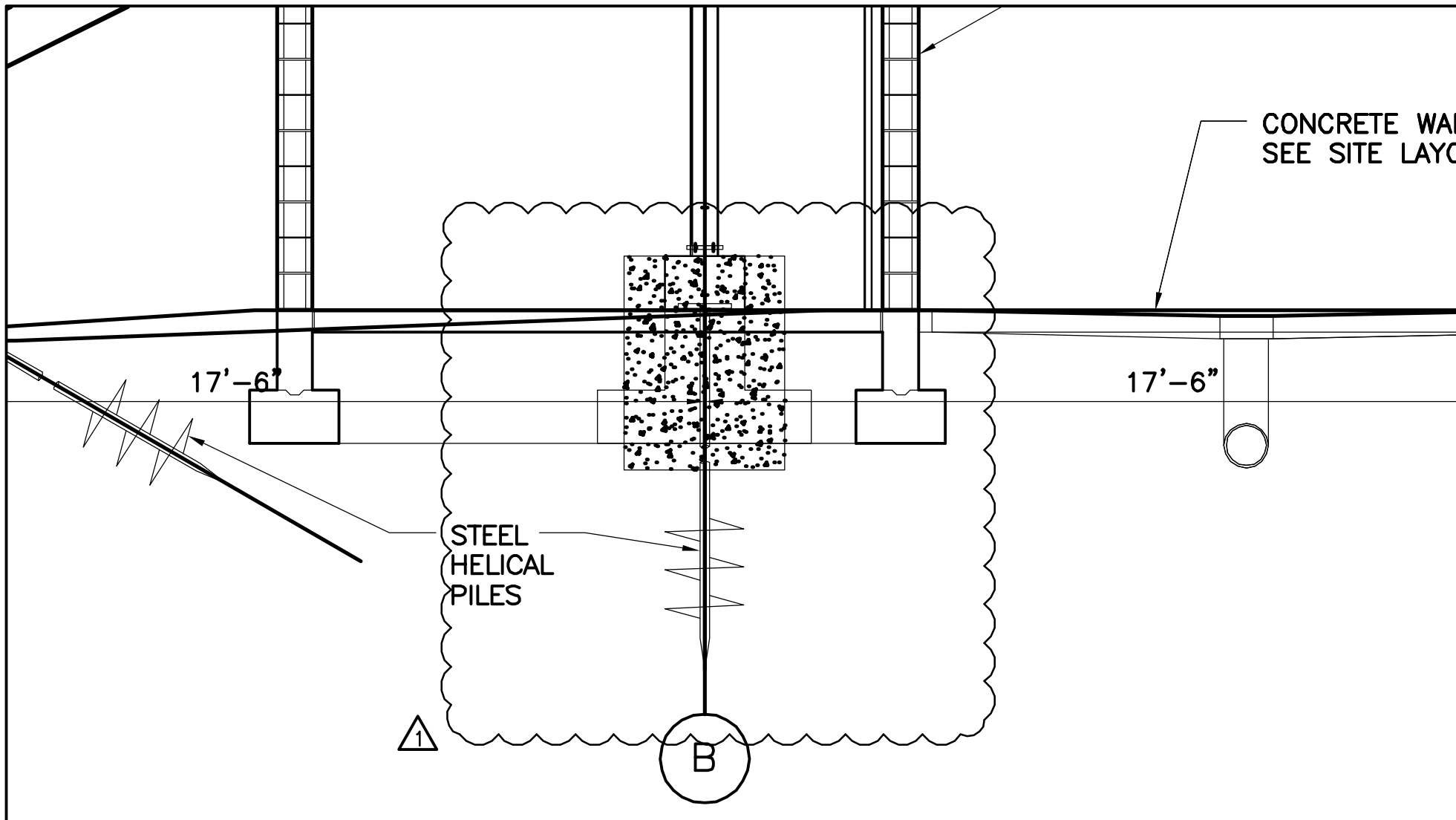
HOME BLEACHER END ELEVATION

SR-603  
ADDENDUM

PROJECT NO.  
21235

DATE: 07/07/11

FIGURE G



1 HOME BLEACHER END ELEVATION

Drawing Copyright © 2011



10800 Midlothian Turnpike, The Winchester Building,  
 Suite 303 - Richmond, VA 23226-4700  
 Main: (804) 897-3564 • www.chacompanies.com

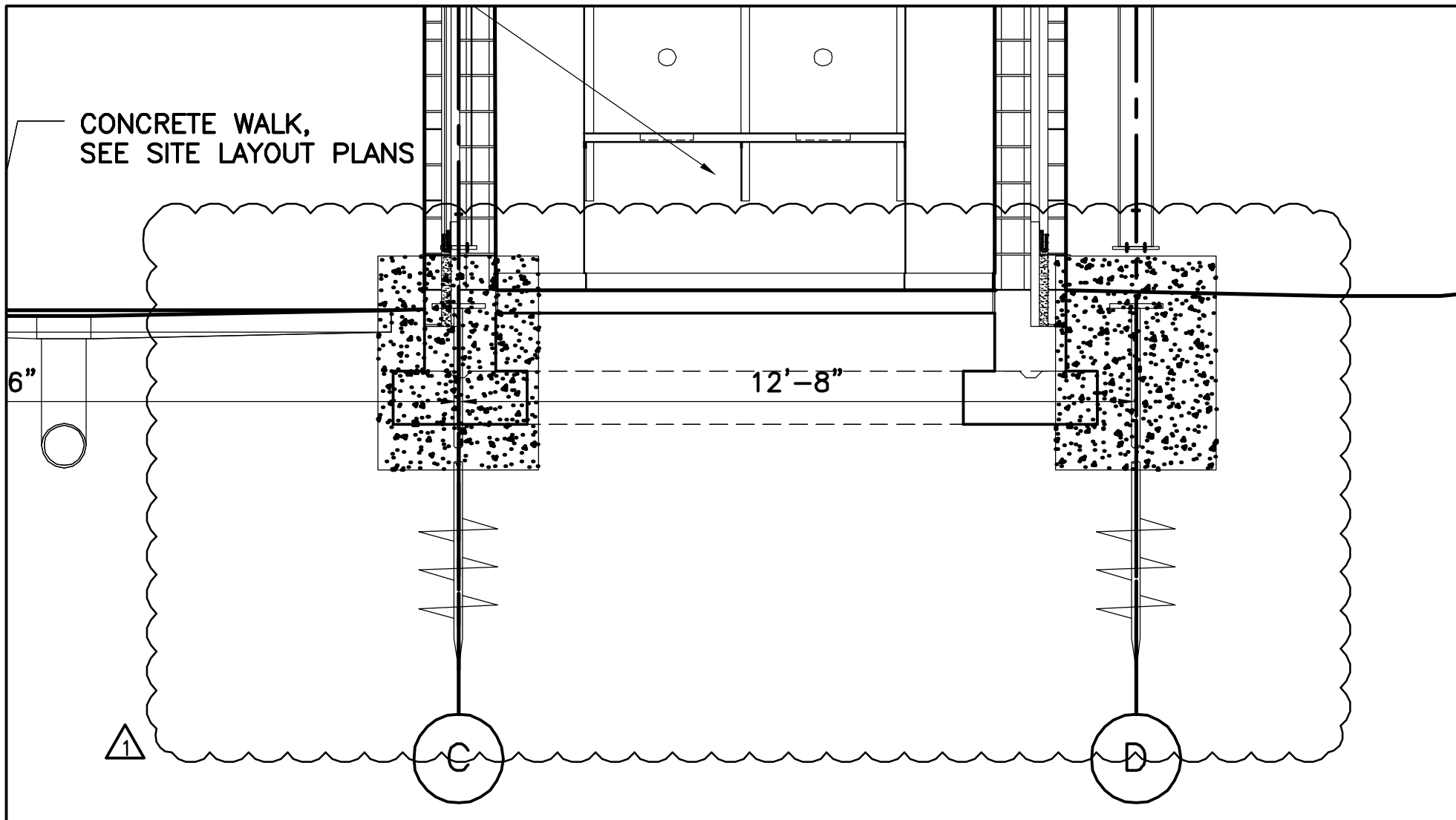
HOME BLEACHER END ELEVATION

SR-603  
 ADDENDUM

PROJECT NO.  
 21235

DATE: 07/07/11

FIGURE H



1 HOME BLEACHER END ELEVATION

Drawing Copyright © 2011



10800 Midlothian Turnpike, The Winchester Building,  
 Suite 303 - Richmond, VA 23295-4700  
 Main: (804) 897-3564 • www.chacompanies.com

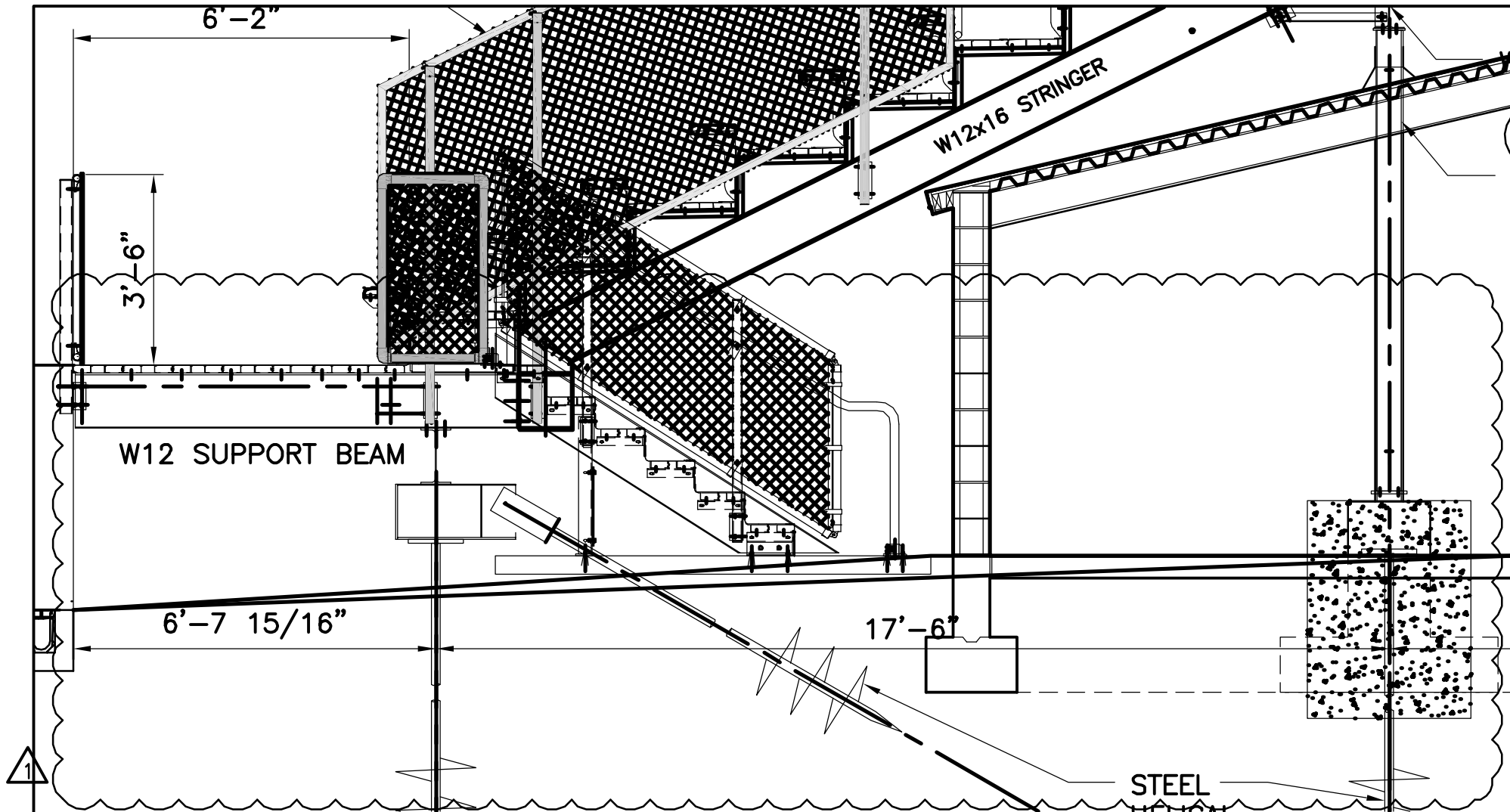
HOME BLEACHER END ELEVATION

SR-603  
 ADDENDUM

PROJECT NO.  
 21235

DATE: 07/07/11

FIGURE I



2 HOME BLEACHER SECTION THROUGH VOMITORY

Drawing Copyright © 2011



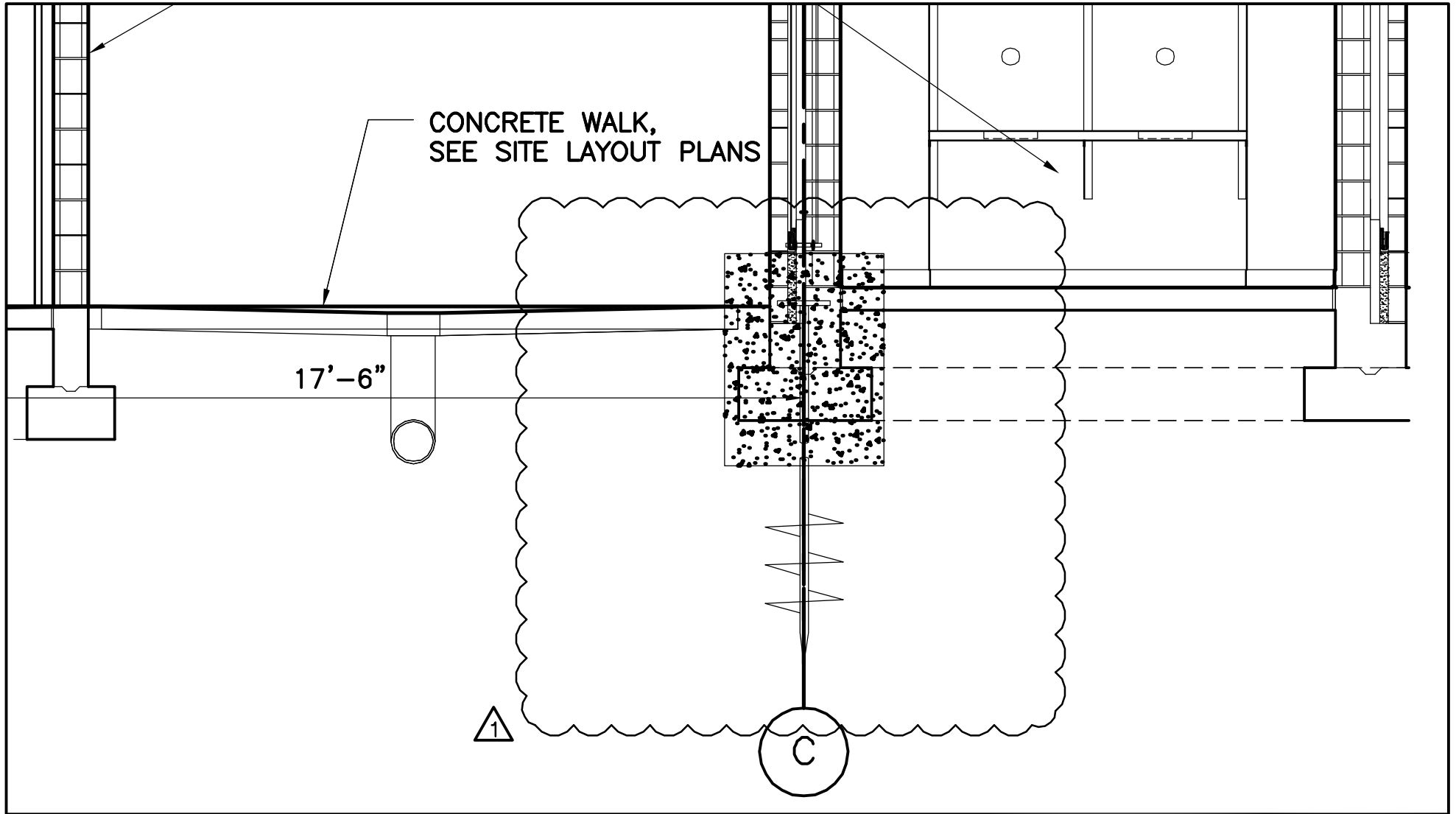
10800 Middlebrook Turnpike, The Winchester Building,  
 Suite 303 - Richmond, VA 23295-4700  
 Main: (804) 897-3564 • www.chacompanies.com

HOME BLEACHER SECTION THROUGH  
 VOMITORY  
 SR-603  
 ADDENDUM

PROJECT NO.  
 21235

DATE: 07/07/11

FIGURE J



1

HOME BLEACHER SECTION THROUGH SEATING

Drawing Copyright © 2011



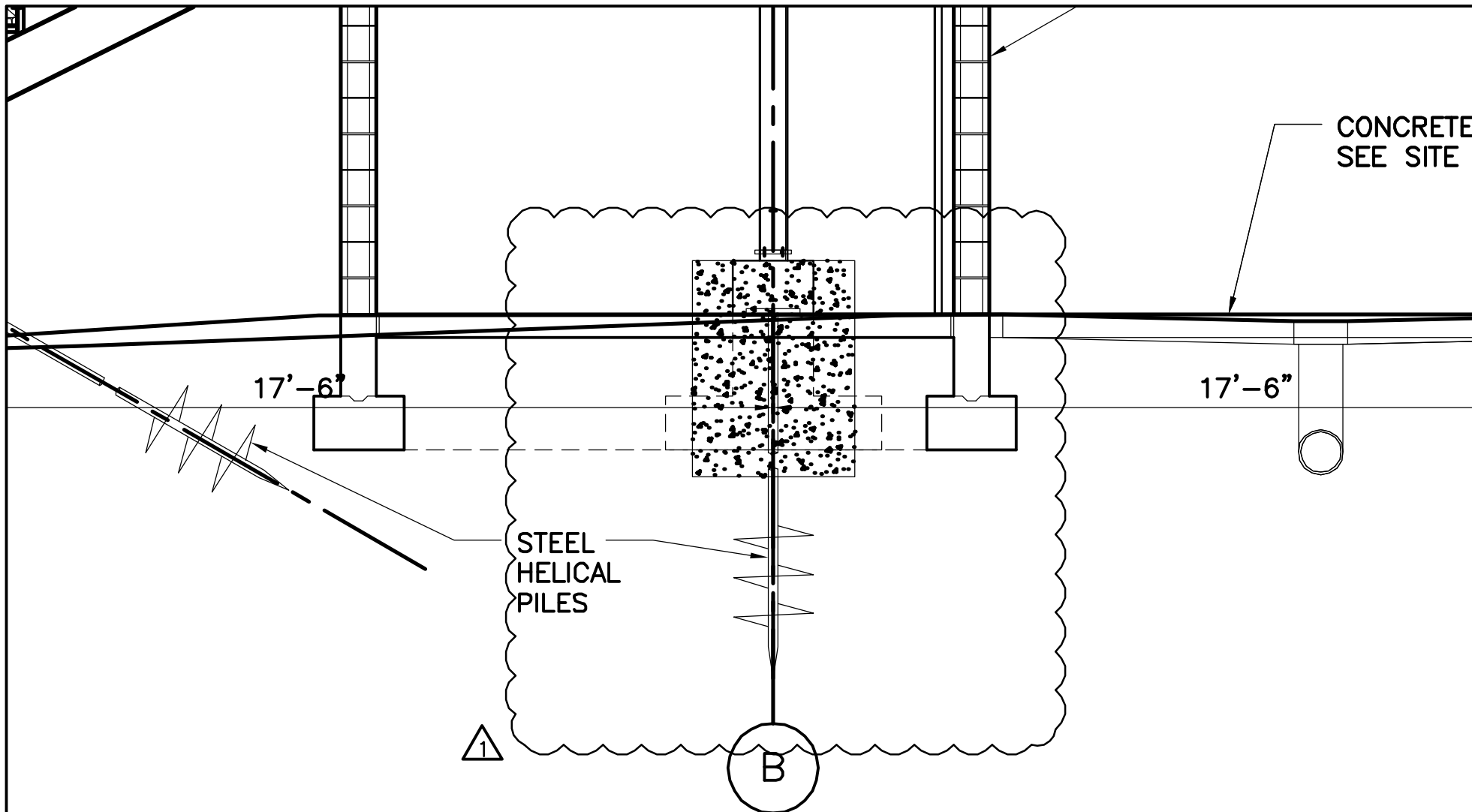
10800 Middleham Turnpike, The Winchester Building,  
Suite 303 - Richmond, VA 23295-4700  
Main: (804) 897-3564 • www.chacompanies.com

HOME BLEACHER SECTION THROUGH  
SEATING  
SR-604  
ADDENDUM

PROJECT NO.  
21235

DATE: 07/07/11

FIGURE K



1 HOME BLEACHER SECTION THROUGH SEATING

Drawing Copyright © 2011



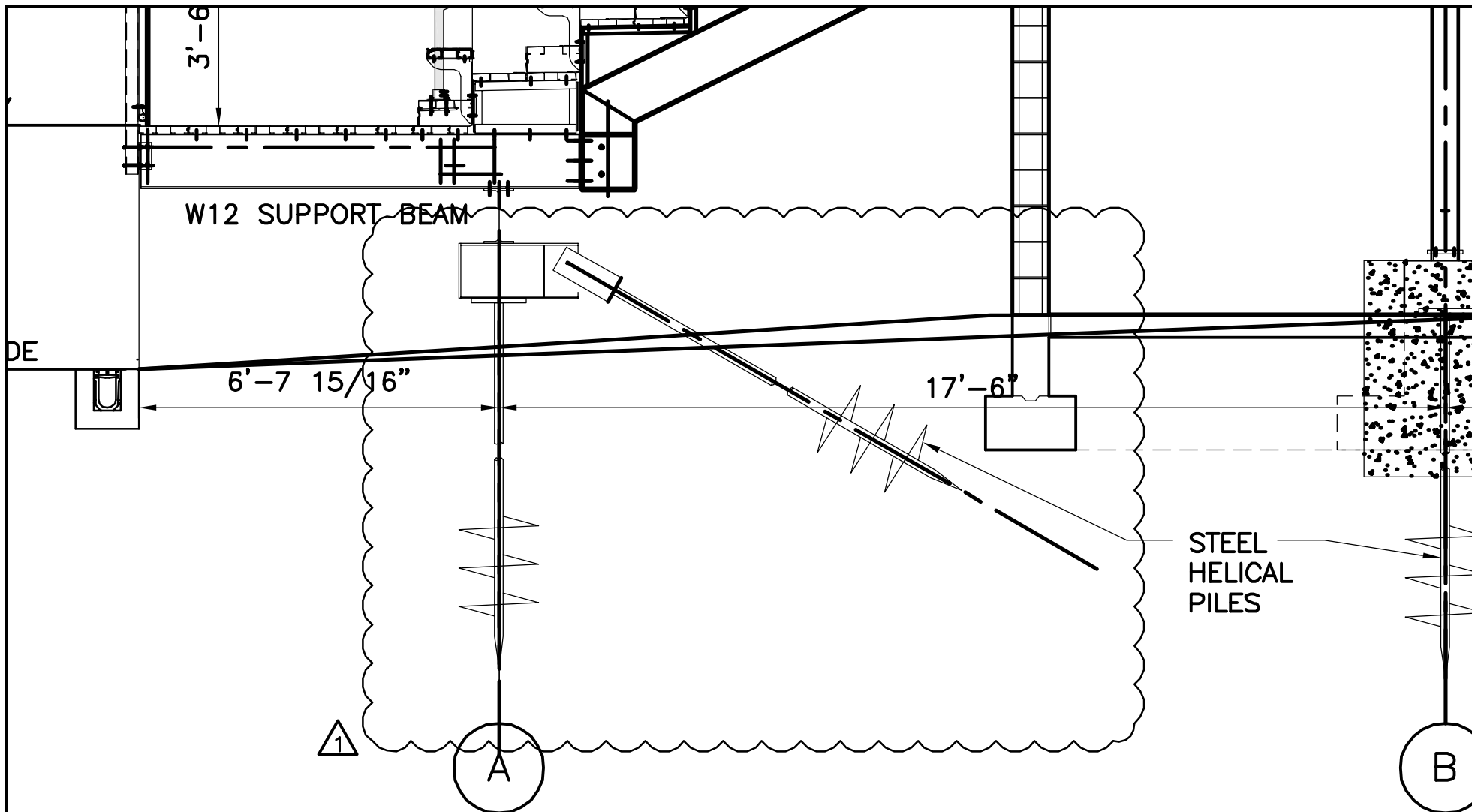
10800 Middleham Turnpike, The Winchester Building,  
Suite 303 - Richmond, VA 23295-4700  
Main: (804) 897-3564 • www.chacompanies.com

HOME BLEACHER SECTION THROUGH  
SEATING  
SR-604  
ADDENDUM

PROJECT NO.  
21235

DATE: 07/07/11

FIGURE L



1 HOME BLEACHER SECTION THROUGH SEATING

Drawing Copyright © 2011



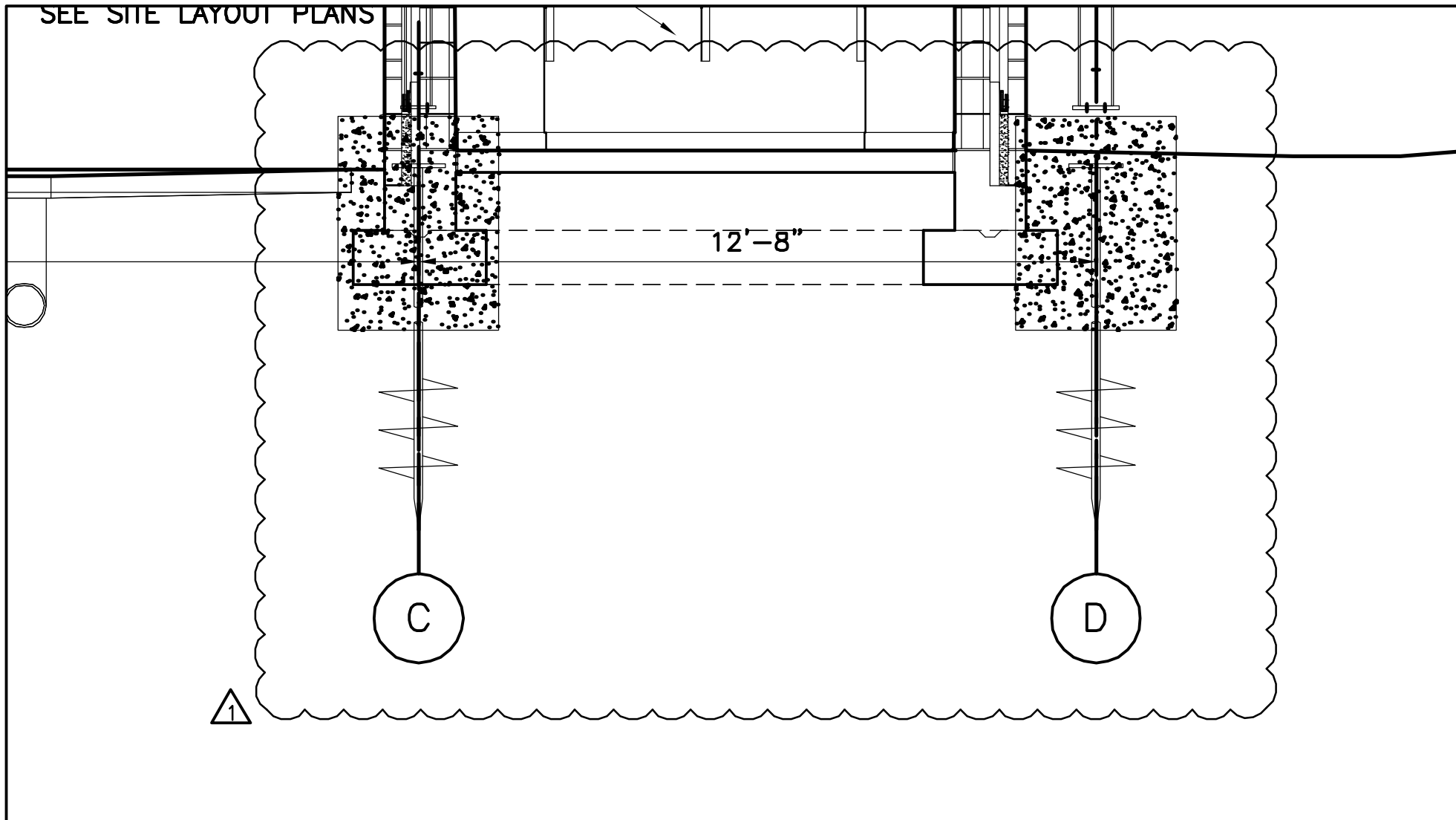
10800 Middlehollow Turnpike, The Winchester Building,  
 Suite 303 - Richmond, VA 23226-4700  
 Main: (804) 897-3564 • www.chacompanies.com

HOME BLEACHER SECTION THROUGH  
 SEATING  
 SR-604  
 ADDENDUM

PROJECT NO.  
 21235

DATE: 07/07/11

FIGURE M



1

HOME BLEACHER SECTION THROUGH SEATING AT PRESS BOX

Drawing Copyright © 2011



10800 Midlothian Turnpike, The Winchester Building,  
Suite 303 - Richmond, VA 23295-4700  
Main: (804) 897-3564 • www.chacompanies.com

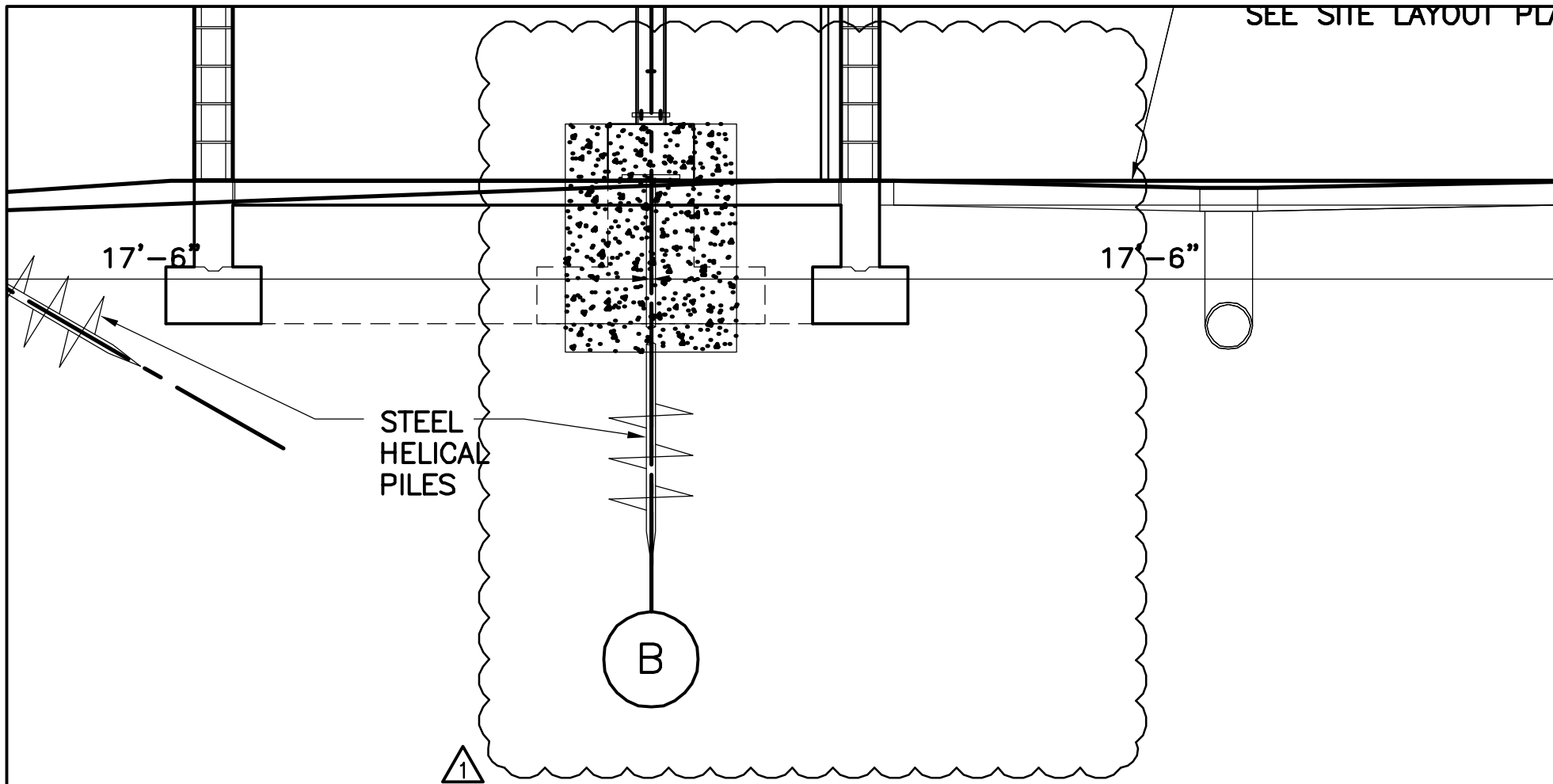
HOME BLEACHER SECTION THROUGH  
SEATING AT PRESS BOX

SR-605  
ADDENDUM

PROJECT NO.  
21235

DATE: 07/07/11

FIGURE N



1

HOME BLEACHER SECTION THROUGH SEATING AT PRESS BOX

Drawing Copyright © 2011



10800 Middlehian Turnpike, The Winchester Building,  
Suite 303 - Richmond, VA 23226-4700  
Main: (804) 897-3564 • www.chacompanies.com

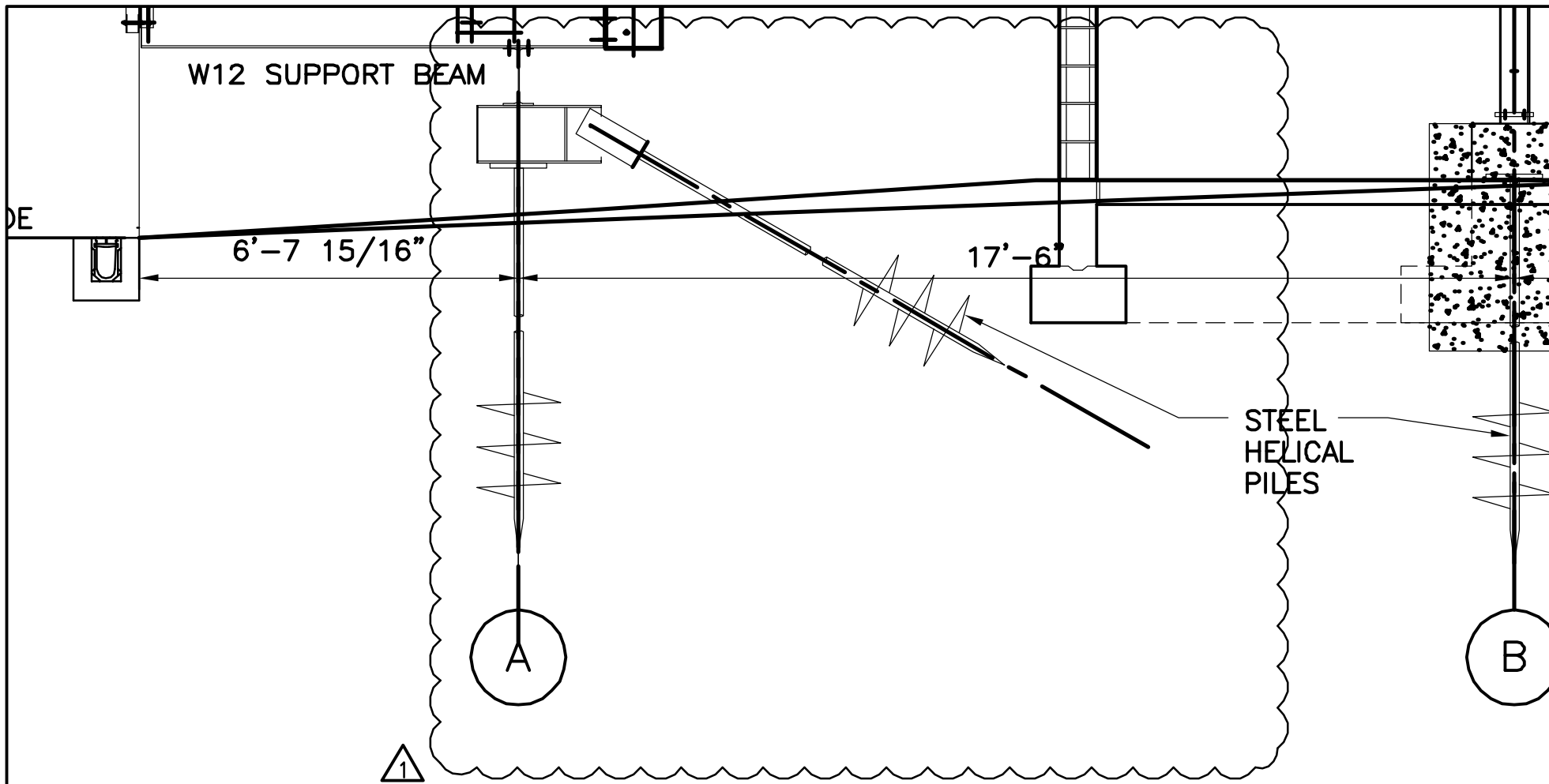
HOME BLEACHER SECTION THROUGH SEATING AT PRESS BOX

SR-605  
ADDENDUM

PROJECT NO.  
21235

DATE: 07/07/11

FIGURE 0



1 HOME BLEACHER SECTION THROUGH SEATING AT PRESS BOX

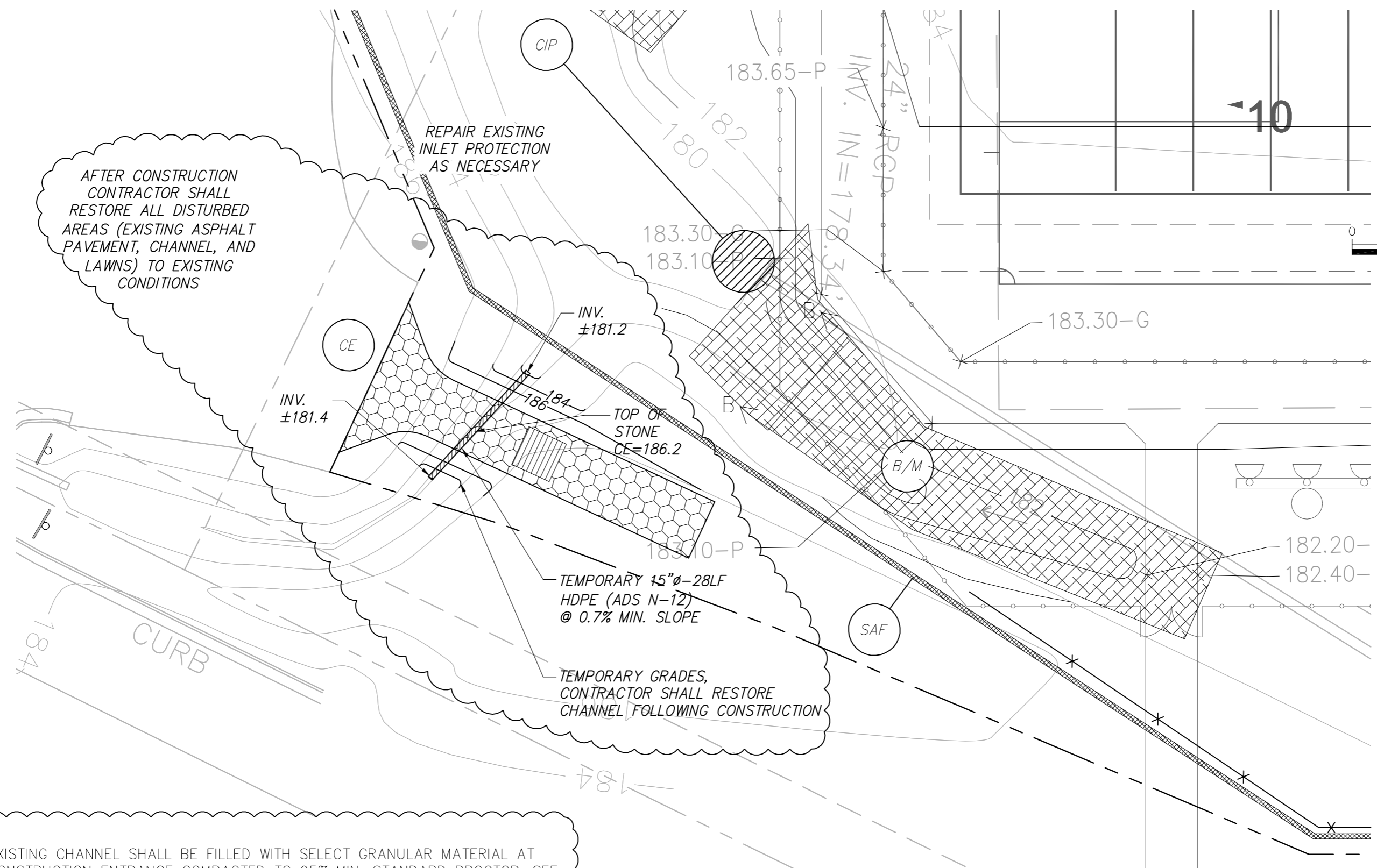
1

Drawing Copyright © 2011  
**CHA**  
 10800 Midlothian Turnpike, The Winchester Building,  
 Suite 303 - Richmond, VA 23295-4700  
 Main: (804) 897-3564 • www.chacompanies.com

HOME BLEACHER SECTION THROUGH  
 SEATING AT PRESS BOX  
 SR-605  
 ADDENDUM

PROJECT NO.  
 21235  
 DATE: 07/07/11  
**FIGURE P**

File: V:\PROJECTS\ANY\K2\21235\CADD\ACAD\...SHEET\_FILES\SR302.DWG Saved: 7/6/2011 4:59:47 PM Plotted: 7/6/2011 5:01:36 PM User: Jackson, Jermaine\_LastSavedBy: 2280



**NOTE:**  
1. EXISTING CHANNEL SHALL BE FILLED WITH SELECT GRANULAR MATERIAL AT CONSTRUCTION ENTRANCE COMPACTED TO 95% MIN. STANDARD PROCTOR. SEE SPECIFICATION SECTION 02200 EARTHWORK FOR ACCEPTABLE PRODUCT & INSTALLATION.  
2. CONTRACTOR SHALL MAINTAIN 2.0' MINIMUM COVER AT TEMPORARY CULVERT.

1 PLAN

SCALE: 1"=20'

Drawing Copyright © 2011



10800 Midlothian Turnpike, The Winchester Building,  
Suite 303, Richmond, VA 23235-4700  
Main: (804) 897-3584 • www.chacompanies.com

CONSTRUCTION ENTRANCE,  
CULVERT, & GRADING  
SR-302  
ADDENDUM #2

PROJECT NO.  
21235  
DATE: 07/07/11  
FIGURE Q